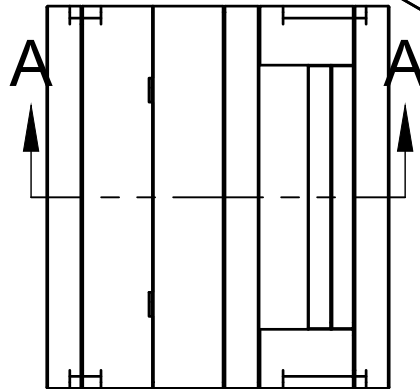
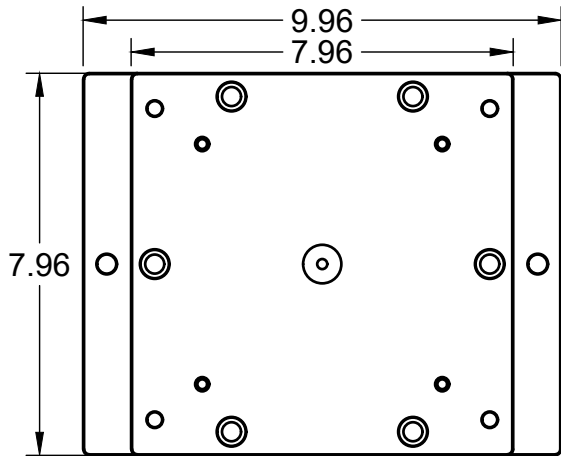
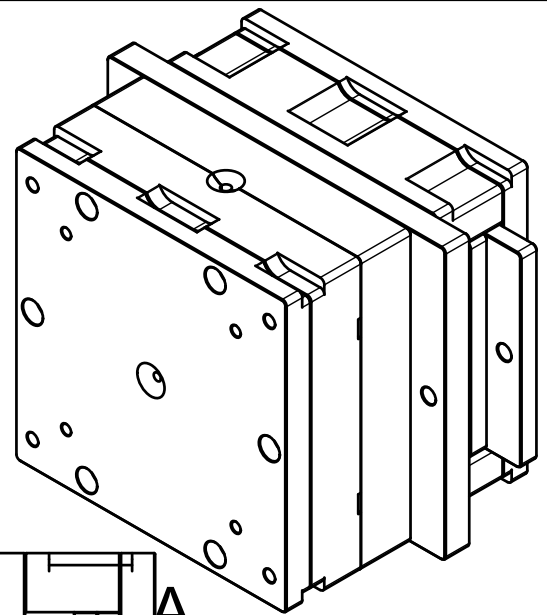
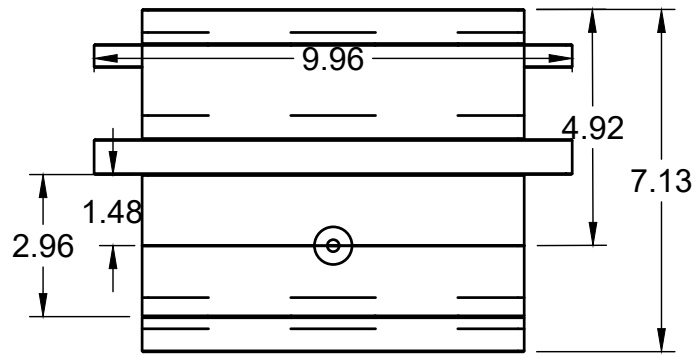
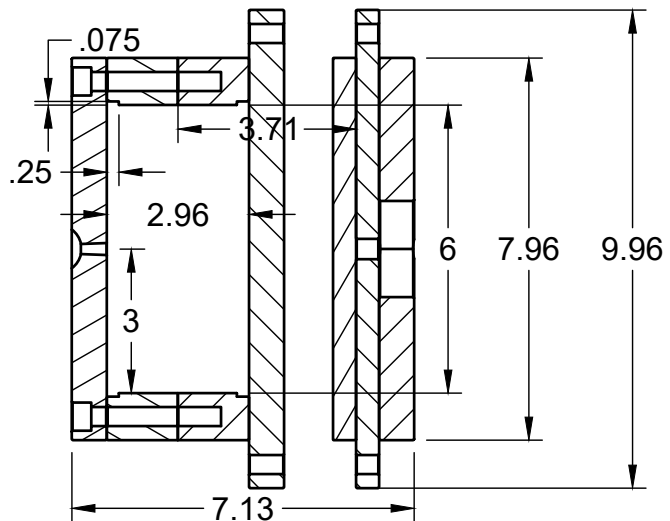
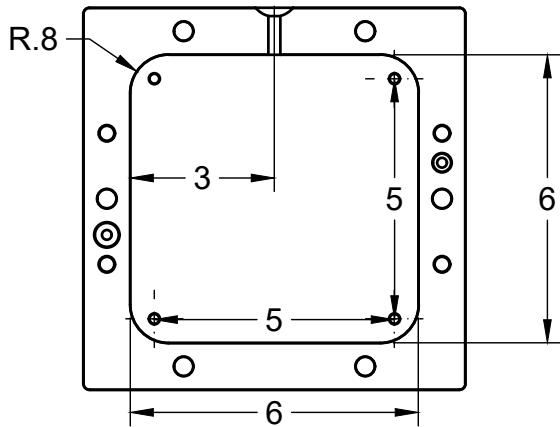


# EXTERIOR



# CAVITY

# SECTION A-A



All dimensions are in inches

PROJECT

**Mold Frame MFC808045EW**

TITLE

**Mold Frame 8x8x4.5 Assembly  
with Wide Ejector**

APPROVED

SIZE

CODE

DWG NO

REV

CHECKED

A

DRAWN

4/3/2023

SCALE 1:4

WEIGHT

SHEET 3/4