

Heavy-Duty Float Level Switch

for Start/Stop Pump Control



measuring
•
monitoring
•
analyzing

NEC



- Polypropylene or Hypalon[®]-Coated Floats w/PEC Clad Cables
- Unique, Isolated-Chamber Float Design
- SPDT Mechanical Switch (Mercury-Free)
- Max. Temperature: 185 °F / 194 °F
- Max. Pressure: 50 PSIG / 58 PSIG



KOBOLD companies worldwide:

AUSTRALIA, AUSTRIA, BELGIUM, BULGARIA, CANADA, CHINA, CZECHIA, FRANCE, GERMANY, GREAT BRITAIN, HUNGARY, INDIA, INDONESIA, ITALY, MALAYSIA, MEXICO, NETHERLANDS, PERU, POLAND, REPUBLIC OF KOREA, RUSSIA, SPAIN, SWITZERLAND, THAILAND, TUNISIA, TURKEY, USA, VIETNAM

KOBOLD Instruments, Inc.
1801 Parkway View Drive
Pittsburgh, PA 15205
☎ Main Office:
1.800.998.1020
1.412.788.4890
✉ info@koboldusa.com
www.koboldusa.com



Description

The KOBOLD NEC Series float level switch for liquids provides mercury-free level switching for tank applications requiring high current capability. With such capacities, pumps may be directly controlled in many applications. The body of this float-type, heavy-duty, tilt level switch is constructed of industrial-quality polypropylene, and can be supplied with optional Hypalon® coating for superior chemical resistance. Additionally, a five-isolated-chamber design makes this float level switch almost impossible to sink. It is supplied with an adjustable ballast weight for easy installation into open tanks and a 16' or 30' cable. Extended cable lengths are available on request.



Specifications

Float Material

NEC: Polypropylene, Multi-Chamber Design
NEC-HY: Polypropylene with Vulcanized Hypalon® (Polyethylene Chloride) Elastomer Coating

Cable: 16' or 30' PEC Cladding (3-conductor)
 (Longer Cables Available on Request)

Ballast (Weight): Included, Adjustable on Cable,
 Loaded Resin Material

Max. Pressure

NEC: 50 PSIG (3.5 bar)
NEC-HY: 58 PSIG (4 bar)

Max. Temperature

NEC: 185 °F (85 °C)
NEC-HY: 194 °F (90 °C)

Media Density

NEC: 0.7...1.15 SG (kg/dm³)
NEC-HY: 0.8...1.10 SG (kg/dm³)

Contact: SPDT Mechanical Switch Changeover,
 Connectable as N/O or N/C,
 Mercury Free

Switch Capacity: Max. 250 VAC 50/60 Hz,
 16A Resistive Load, 6A Inductive Load

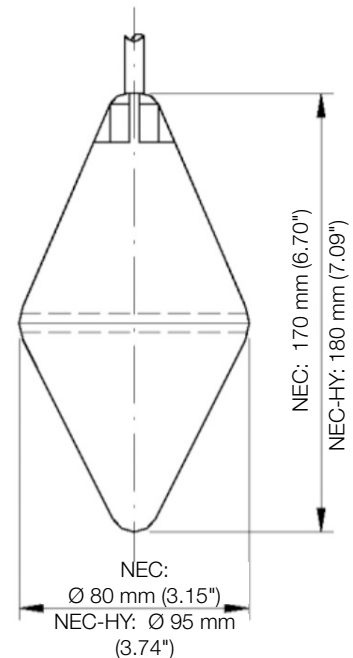
Weight

NEC: Approx. 1.8 lb (0.82 kg) with 16' Cable,
 Plus Ballast Weight of 0.55 lb (0.25 kg)
NEC-HY: Approx. 1.9 lb (0.85 kg) with 16' Cable,
 Plus Ballast Weight of 0.55 lb (0.25 kg)

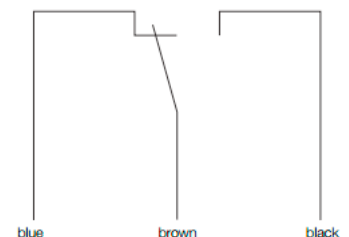
Switching Angle: Approx. +25° to Activate, -25° to Deactivate
 (Angles vary per installation, comparison use only)

Protection Class: IP 68

Dimensions



Electrical Connection



Order Details

| Model | Description |
|--------------|--|
| NEC-930 | Double Cone Float, 16' PEC Cable |
| NEC-930N10 | Double Cone Float, 30' PEC Cable |
| NEC-HY930 | Hypalon® Coated Double Cone Float, 16' PEC Cable |
| NEC-HY930N10 | Hypalon® Coated Double Cone Float, 30' PEC Cable |

*Hypalon is a registered TM of E.I. Dupont de Nemours
 **Longer cable lengths are available upon request, consult factory